



RANCH[®] KETTLE

44³/₄ inch
(114 cm)



39950

⚠ DANGER

This kettle is designed for outdoor use only. Toxic fumes may accumulate and cause bodily injury or death if used indoors.

⚠ WARNING: Do not use gasoline, alcohol, or other highly volatile fluids to ignite charcoal. Use a commercially prepared firestarter and make sure that, if using lighter fluid, any fluid that may have drained through the bottom vents is removed before lighting the charcoal.

⚠ WARNING: Never use kettle unless all parts of the unit are in place. Make sure ash catcher is set properly on the vertical supports underneath the bowl of the kettle.

©2004 The following trademarks are registered in the name of Weber-Stephen Products Co., an Illinois corporation, located at 200 East Daniels Road, Palatine, Illinois 60067 U.S.A. Australia; Smokey Joe, Weber, Kettle Silhouette®, Genesis, Austria; Kettle Silhouette®, Smokey Joe, Weber, Benelux; Kettle Silhouette®, Smokey Joe, Weber, Compact Grill Configuration, Botswana; Weber, Canada; Smokey Joe, Genesis, China; Kettle Silhouette®, Denmark; Kettle Silhouette®, Smokey Joe, Weber, Finland; Smokey Joe, France; Kettle Silhouette®, Smokey Joe, Weber, One-Touch, Germany; Smokey Joe, Weber, One-Touch, Greece; Smokey Joe, Ireland; Kettle Silhouette®, Smokey Joe, Italy; Smokey Joe, Weber, Japan; Smokey Joe, Weber, Korea; Smokey Joe, Weber, New Zealand; Weber, Smokey Joe, Nigeria; Weber, Norway; Smokey Joe, Weber, Portugal; Weber, South Africa; Smokey Joe, Weber, Kettle Configuration, Spain; Smokey Joe, Weber, Sweden; Kettle Silhouette®, Smokey Joe, Switzerland; Kettle Silhouette®, Smokey Joe, Weber, United Kingdom; Smokey Joe, Weber, Weber One-Touch, U.S.A.; Kettle Configuration, Kettle Silhouette®, Smokey Joe, Weber, One-Touch, Firespice, Go-Anywhere, U.S.A.; Kettle Configuration, Kettle Silhouette, Genesis, Flavorizer, Crossover, Flamgo, Performer, Rapidfire, Tuck 'N Carry, Jumbo Joe, Bar-B-Kettle, Master-Touch, Spirit, Grill Out, Summit, Platinum, 1-800-Grill-Out, Ranch, Matchless Flame, Zimbabwe; Weber, Kettle Configuration, Kettle Silhouette®.

Assembly Instructions**Step 1**

Check Package Contents. You should have received the parts shown below. In the event a part is missing or damaged, do not return the unit. Contact:

WEBER-STEPHEN PRODUCTS CO.

Customer Service Center

1890 Roselle Road, Suite 308 Schaumburg, IL 60195

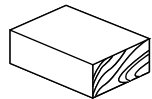
1(800) 446-1071 www.weber.com*

Assembly Tools needed

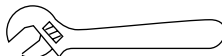
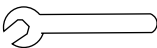
Hammer



Pliers

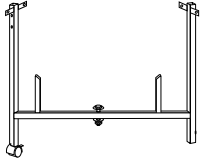


Block of wood

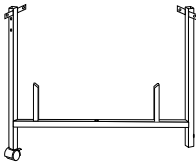


7/16 inch, 1/2 inch open-end or an adjustable wrench

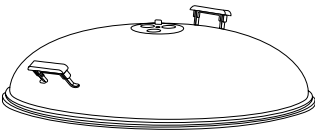
Parts



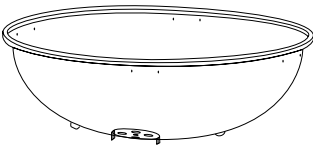
Top Frame Assembly



Bottom Frame Assembly



Lid Assembly



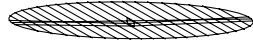
Bowl Assembly



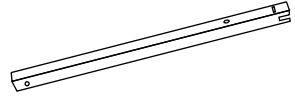
Ash Catcher



Hinged cooking grate



Charcoal grate



Tuck-Away frame support



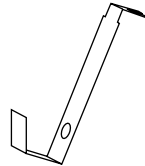
Axle



Frame handle



Wire lid holder assembly

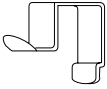


Tuck-Away support bracket

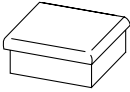


Two lid tabs

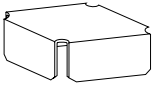
4



Three tool holders



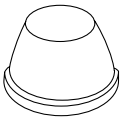
Plastic tubing plug



Four aluminum tubing plugs



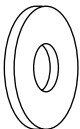
Two wheels



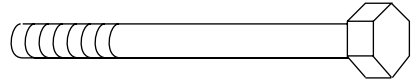
Two wheel hubcaps



Five 1/4-20 hex nuts
(actual size)



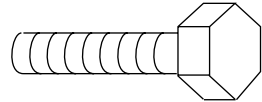
Ten nylon washers
(actual size)



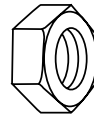
Five 1/4-20 x 1 3/4 inch
bolts (actual size)



Six 5/16 inch steel washers
(actual size)



Six 5/16-18 x 7/8 inch
bolts (actual size)



Eight 5/16-18 hex nuts
(actual size)



Eight 5/16 inch lock washers
(actual size)



Six 7/8 inch aluminum washers
(actual size)

Step 2

Assemble Frame

You will need: Top Frame Assembly, Bottom Frame Assembly, 7/16 inch open-end or an adjustable wrench and pliers.

Remove hex nut and bottom washer from the bolt that is preinstalled in the Top Frame Assembly. Do not remove top bolt and washer from Top Frame Assembly. Figure 1a. Stand up the Bottom Frame Assembly with the caster toward you. Figure 1b.

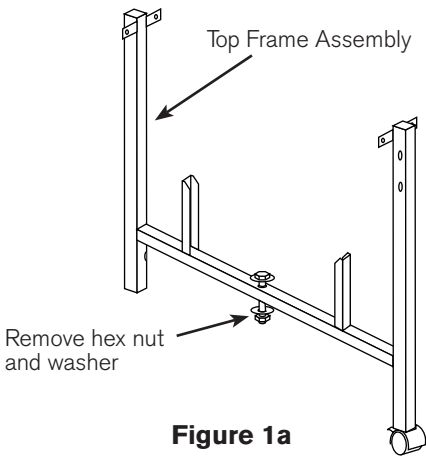


Figure 1a

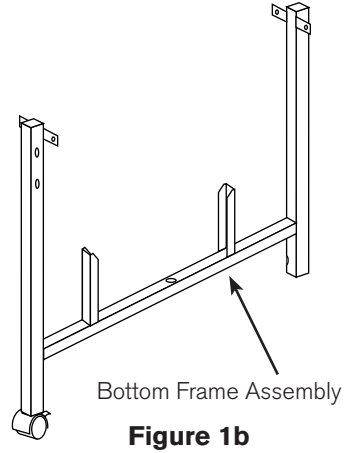


Figure 1b

Place the Top Frame Assembly with the bolt and washer, on top of the Bottom Frame Assembly. Make sure the caster of the Top Frame Assembly is toward your right. Figure 2.

Line up the bolt coming through the Top Frame Assembly with the Bottom Frame Assembly until the bolt can drop through the hole in the Bottom Frame Assembly. Add the washer, hex nut and finger tighten.

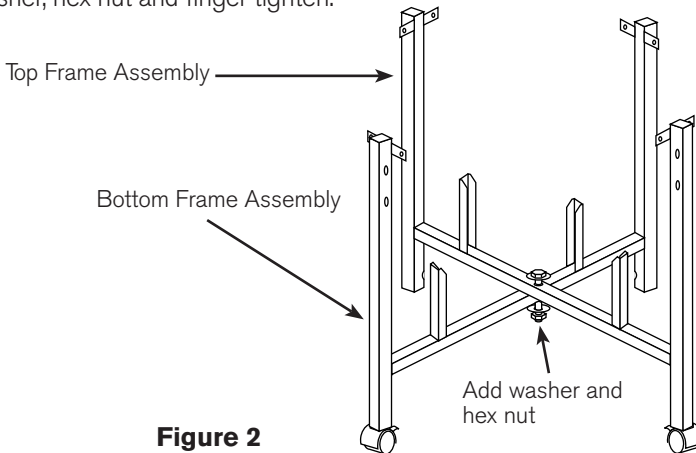


Figure 2

Note: If the top frame assembly legs do not touch the ground, it has been assembled wrong.

6

Step 3

Continue Frame Assembly

You will need: Frame assembly, two wheels, two hubcaps, axle, Tuck-Away frame support, hammer, a block of wood, pliers and a 7/16 inch open-end or an adjustable wrench.

Place one end of axle on block of wood (or other protected surface). Tap on one hubcap. Put one wheel on axle, WEBER side toward hubcap. Figure 3.

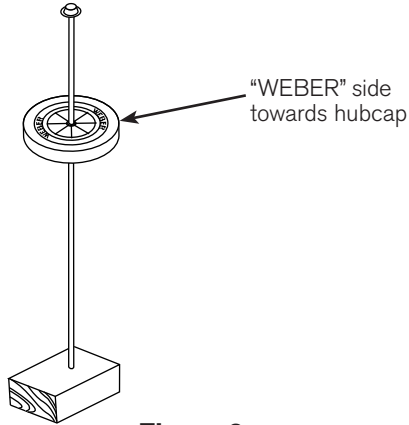


Figure 3

Slide axle through the frame, Tuck-Away frame support, **(make sure slot is facing up as shown)**, and through other end of frame. Add other wheel (WEBER side toward the hubcap) and tap on hubcap. Figure 4.

Finish tightening bolt in center of frame assembly.

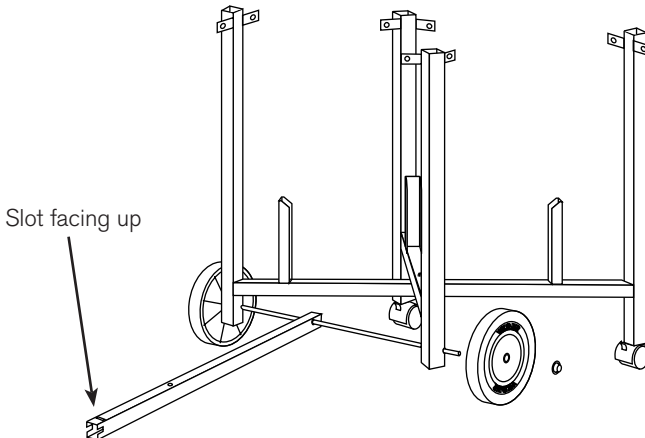


Figure 4

Step 4

Assemble Frame Handle

You will need: Frame assembly, frame handle, four 1/4-20 x 1 3/4 inch bolts, eight nylon washers, four 1/4-20 hex nuts, 7/16 inch open-end or an adjustable wrench and pliers.

Hold frame handle between caster legs. Place a washer on bolt, insert through frame assembly, then through frame handle. Add washer, hex nut and tighten. Figure 5.

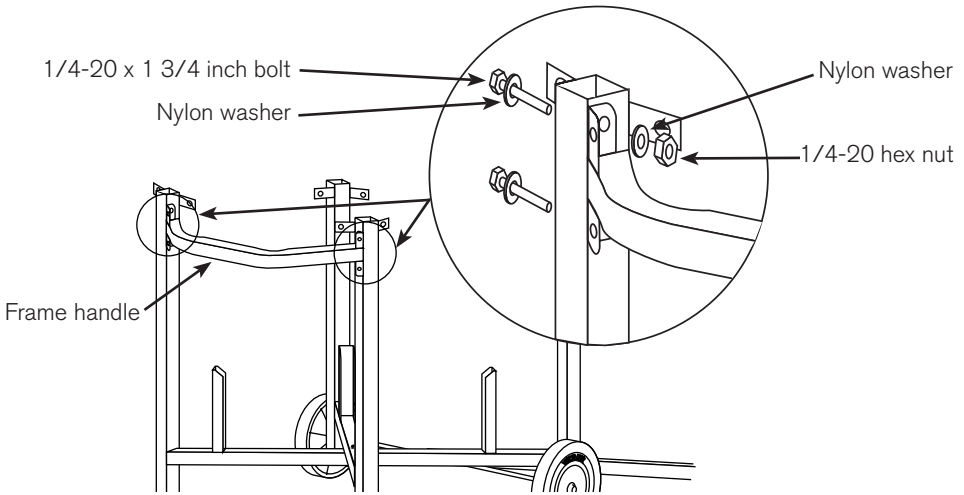


Figure 5

Step 5

Install Ash Catcher and Aluminum Tubing Plugs

You will need: Ash catcher, four aluminum tubing plugs and a hammer.

Set ash catcher on the four vertical supports in center of frame assembly. Insert aluminum tubing plugs into top ends of frame legs. To fully seat the plugs, you may have to tap them lightly with a hammer. Figure 6.

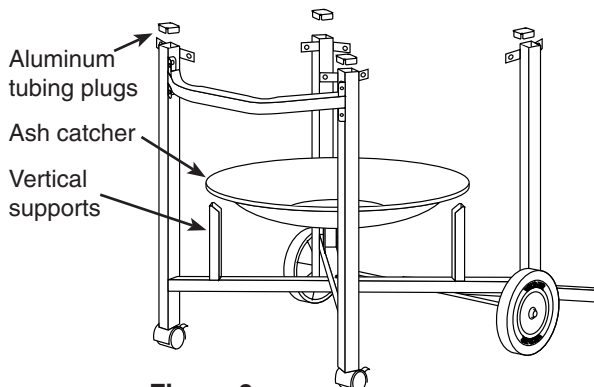
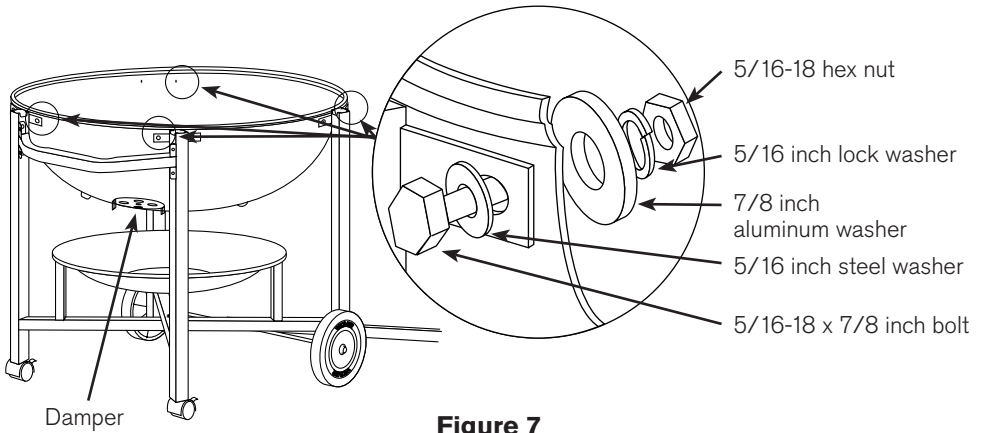


Figure 6

Step 6**Install Bowl Assembly**

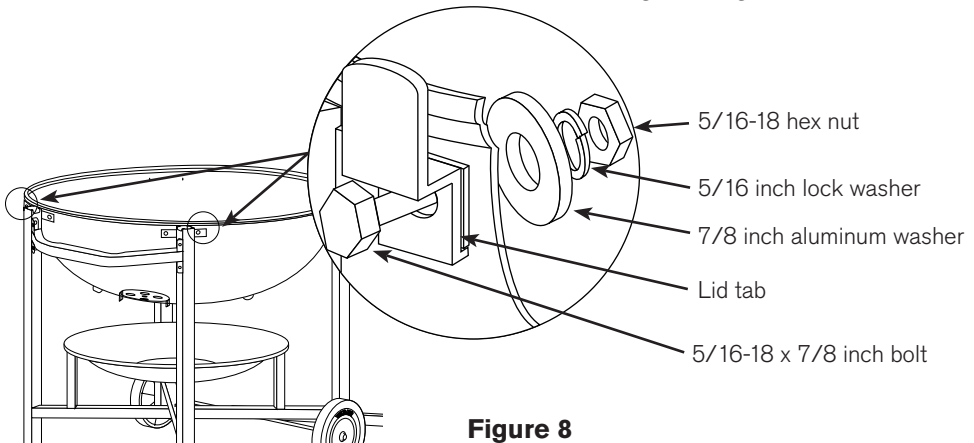
You will need: Bowl assembly, four 5/16-18 x 7/8 inch bolts, four 5/16 inch steel washers, four 7/8 inch aluminum washers, four 5/16-18 hex nuts, four 5/16 inch lock washers, 1/2 inch open-end or an adjustable wrench and pliers.

Set bowl in frame. Place a steel washer on bolt and insert through frame assembly and bowl. Place aluminum washer, lock washer and hex nut on bolt and tighten. Install the other bolts in locations shown in Figure 7.

**Figure 7****Step 7****Install Lid Tabs**

You will need: Two lid tabs, two 5/16-18 x 7/8 inch bolts, two 7/8 inch aluminum washers, two 5/16-18 hex nuts, two 5/16 inch lock washers, 1/2 inch open-end or an adjustable wrench and pliers.

Insert bolt through lid tab, frame assembly and bowl on outside of caster legs. Place aluminum washer, lock washer, then hex nut on bolt and tighten. Figure 8.

**Figure 8**

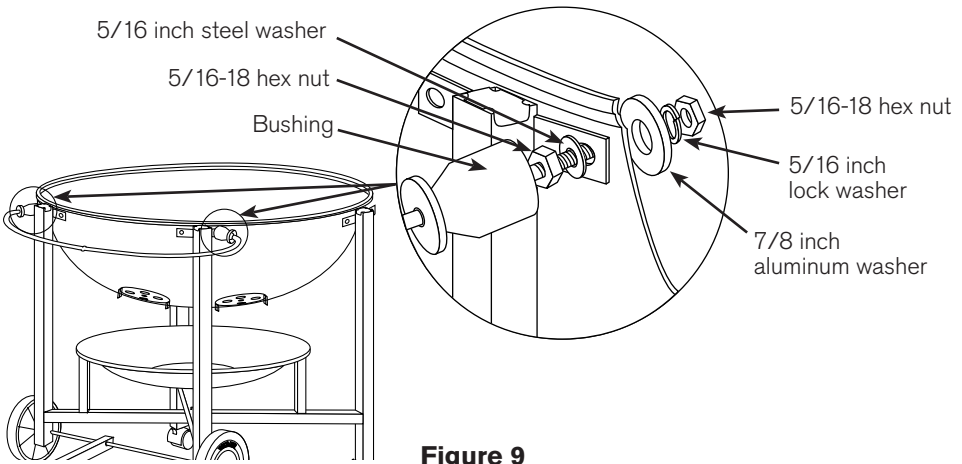
Step 8**Install Wire Lid Holder Assembly**

You will need: Wire lid holder assembly and a 1/2 inch open-end or an adjustable wrench.

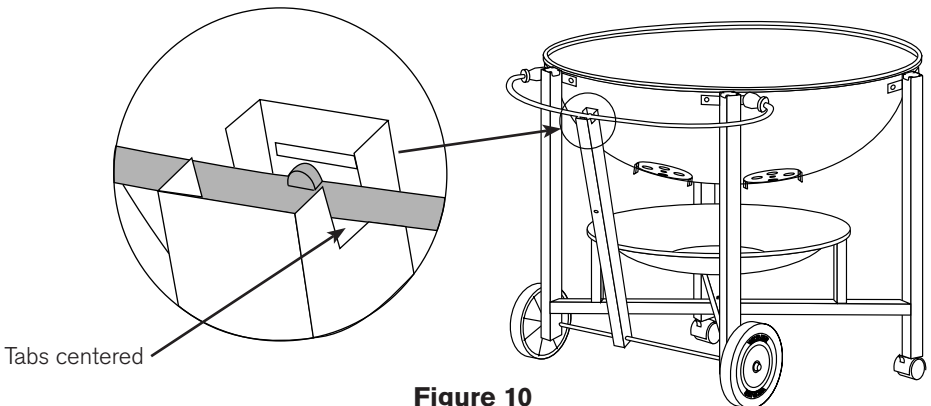
Remove 5/16-18 hex nut, 5/16 inch lock washer and 7/8 inch aluminum washer from each end of wire lid holder. Finger tighten remaining 5/16-18 hex nut.

Note - Bushings should roll freely on wire lid holder.

Insert ends of wire lid holder through frame assembly and bowl on outside of wheel legs. Place 7/8 inch aluminum washer, 5/16 inch lock washer then 5/16-18 hex nut on each end of the wire lid holder and tighten. Figure 9.

**Figure 9****Step 9****Install Tuck-Away Frame Support**

Swing Tuck-Away frame support up and set wire lid holder, with tabs centered, into slots in frame support. Figure 10.

**Figure 10**

10

Step 10

Install Tuck-Away Support Bracket

You will need: Tuck-Away support bracket, plastic tubing plug, 1/4-20 x 1 3/4 inch bolt, two nylon washers, 1/4-20 hex nut, 7/16 inch open-end or an adjustable wrench and pliers.

Insert tabs of support bracket through slot in Tuck-Away frame support. Figure 11 (a).

Place a nylon washer on bolt, insert through Tuck-Away frame support and support bracket. Add another nylon washer, hex nut and tighten. Figure 11 (b).

Insert plastic tubing plug into top of Tuck-Away frame support. You may have to tap the plug lightly to fully seat it. Figure 11.

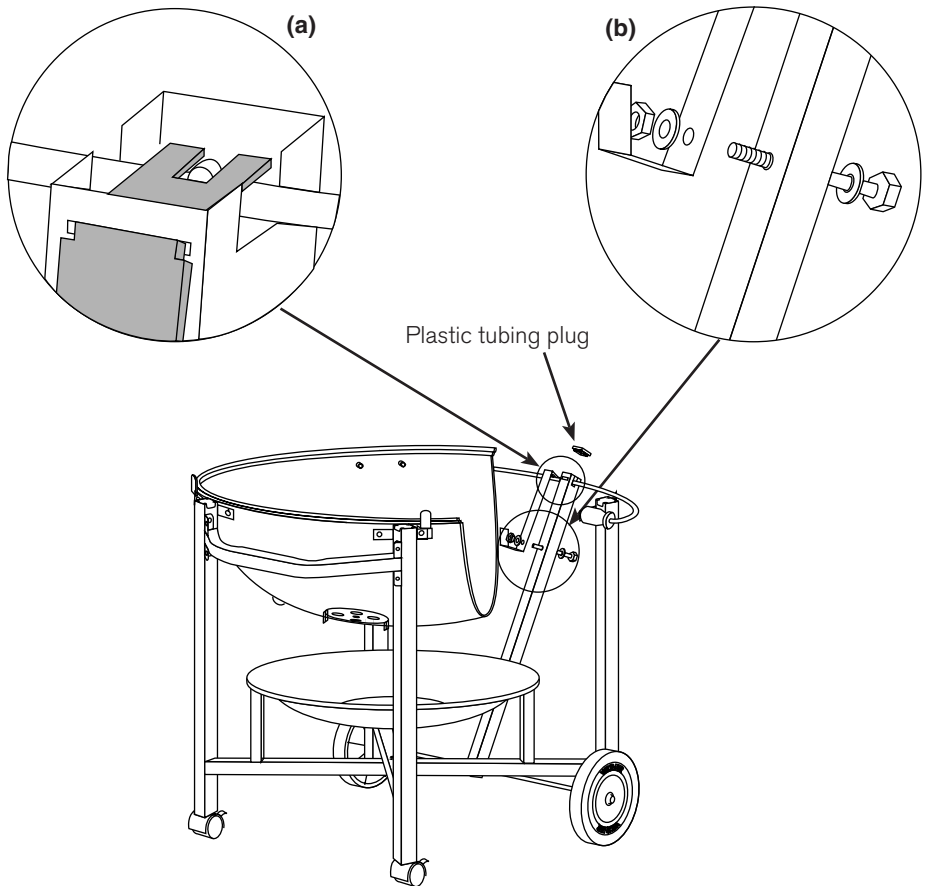


Figure 11

Step 11

Final Assembly

You will need: Charcoal grate, hinged cooking grate, three tool holders and lid assembly.

Set charcoal grate, then cooking grate in bowl. Add lid. Hook tool holders over frame handle. Figure 12.

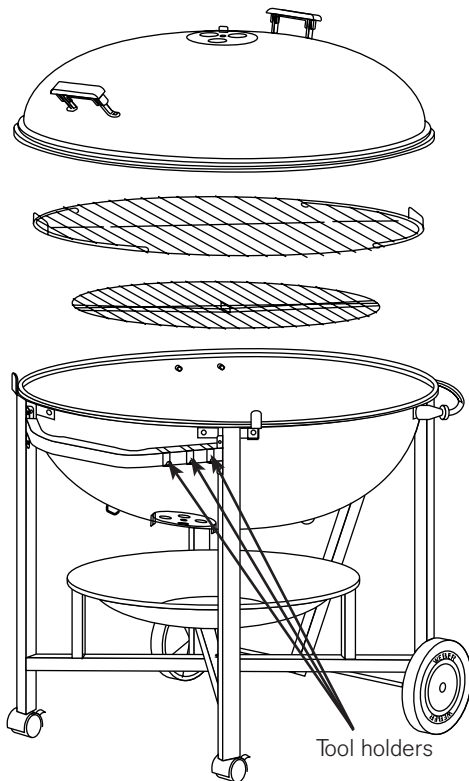


Figure 12



Weber-Stephen Products Co., (Weber) hereby warrants to the ORIGINAL PURCHASER of this Weber® One-Touch® Silver, One-Touch® Gold, One-Touch® Platinum, Smokey Mountain Cooker®, and Ranch® grills, that it will be free from defects in material and workmanship from the date of purchase as follows:

Cooking / Charcoal grates	1 year
Stainless Steel One-Touch® Cleaning System (One-Touch® Platinum)	10 years
Bowl and lid against rust / burn-through	10 years
Nylon handles	10 years
Thermoplastic/Thermoset Parts(One-Touch® Platinum)	10 years excluding fading
All remaining parts	5 years

When assembled and operated in accordance with the printed instructions accompanying it. Weber may require reasonable proof of your date of purchase. THEREFORE, YOU SHOULD RETAIN YOUR SALES SLIP OR INVOICE AND RETURN THE WEBER LIMITED WARRANTY REGISTRATION CARD IMMEDIATELY. This Limited Warranty shall be limited to the repair or replacement of parts which prove defective under normal use and service and which on examination shall indicate to Weber's satisfaction they are defective. If Weber confirms the defect and approves the claim, Weber will elect to repair or replace such parts without charge. If you are required to return defective parts, transportation charges must be prepaid. Weber will return parts to the purchaser, carriage or postage prepaid.

This Limited Warranty does not cover any failures or operating difficulties due to accident, abuse, misuse, alteration, misapplication, vandalism, improper installation or improper maintenance or service, or failure to perform normal and routine maintenance. Deterioration or damage due to severe weather conditions such as hail, hurricanes, earthquakes or tornadoes, discoloration due to exposure to chemicals, either directly or in the atmosphere, is not covered by this Limited Warranty.

There are no other express warranties except as set forth herein, and any applicable implied warranties of merchantability and fitness are limited in duration to the period of coverage of this express written Limited Warranty. Some regions do not allow limitation on how long an implied warranty lasts, so this limitation may not apply to you.

Weber is not liable for any special, indirect or consequential damages. Some regions do not allow the exclusion or limitation of incidental or consequential damages, so this limitation or exclusion may not apply to you.

Weber does not authorize any person or company to assume for it any other obligation or liability in connection with the sale, installation, use, removal, return or replacement of its equipment; and no such representations are binding on Weber.

Parts List

All items are single quantities unless otherwise specified. Parts can be ordered from Weber-Stephen Products Co. by phone or mail.

Note - Do not return parts to Weber-Stephen Products Co. without first contacting the Customer Service Center by phone or mail. Returning the part may not be necessary.

1. #8-16 x 5/8 inch screw
2. Nylon lid handle (top)
3. Nylon lid handle (bottom)
4. 1/4-20 x 5/8 inch screws (4)
5. 1/4 inch flat washers (5)
6. Lid damper
7. 1/4-20 acorn nuts (4)
8. Lid
9. Hinged cooking grate
10. Charcoal grate
11. Wire lid support
12. 5/16 inch steel washers (6)
13. 5/16-18 hex nuts (8)
14. Bushings (2)
15. 7/8 inch aluminum washers (12)
16. 5/16 inch lock washers (8)
17. Bowl
18. Bowl dampers (3)
19. 1/4-20 hex nuts (6)
20. Nylon washers (12)
21. 1/4-20 x 1 3/4 inch bolts (5)
22. Frame handle
23. Tool holders (3)
24. Aluminum tubing plugs (4)
25. 5/16-18 x 7/8 inch bolts (6)
26. Ash catcher
27. Top frame
28. 1/4-20 x 3 inch bolt
29. Lid tabs (2)
30. Plastic tubing plug
31. Tuck-Away support bracket
32. Tuck-Away frame support
33. Bottom frame
34. Caster inserts (2)
35. Casters (2)
36. Axle
37. Wheels (2)
38. Wheel hubcaps (2)

